

# Models A & B

## Current Transformers Window Diameter 1.05", 2.06"

### Application

For energy management systems and instrumentation.

### Frequency

50-400 Hz.

### Insulation Level

0.6 kV, BIL 10 kV full wave.

### Rating Factor

1.0 at 30°C. amb.,

Fast on connectors are standard 1/4" Terminals are 8-32 studs.

Flexible leads are UL 1015, 105°C., CSA approved. #16 AWG, 24" long.

Approximate weights:  
Model A - 0.5 lb.  
Model B - 0.6 lb.



Model BT

Model AL



### Model A

Catalog Number	Current Ratio	Burden VA	Accuracy at 60 Hz
A*-500	50:5	±3%	1.5
A*-600	60:5	±3%	2.0
A*-750	75:5	±2%	2.0
A*-800	80:5	±2%	2.0
A*-101	100:5	±1%	2.0
A*-121	120:5	±1%	2.5
A*-1250	125:5	±1%	2.5
A*-151	150:5	±1%	4.0
A*-201	200:5	±1%	4.0
A*-251	250:5	±1%	6.0
A*-301	300:5	±1%	8.0
A*-401	400:5	±1%	10.0

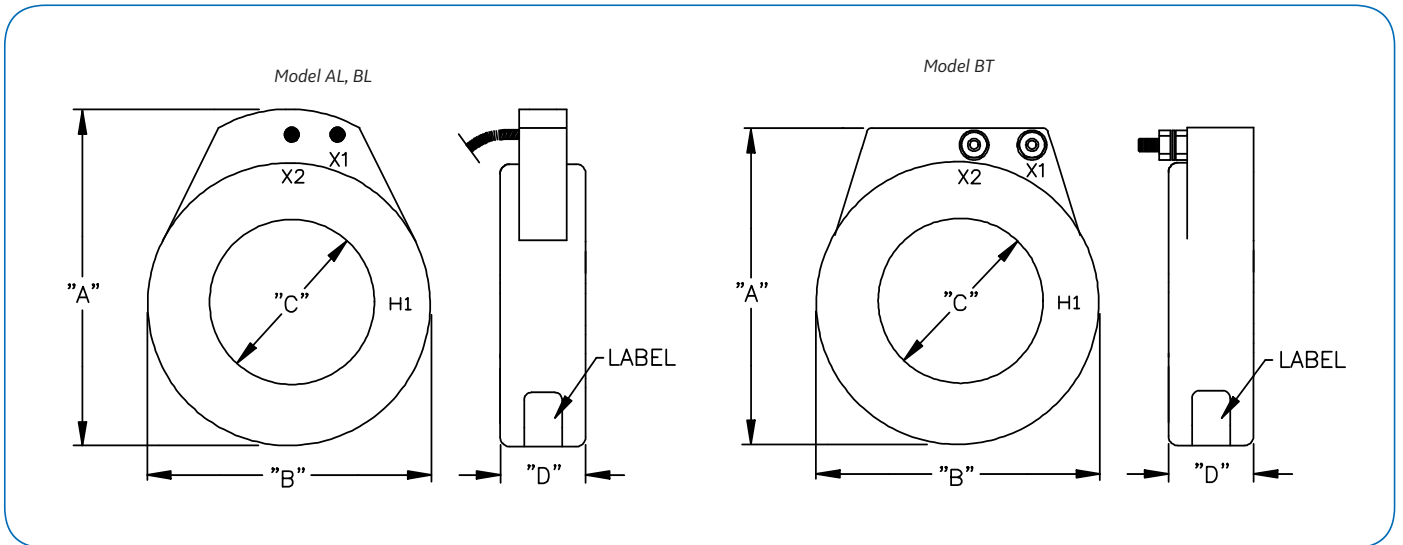
### Model B

Catalog Number	Current Ratio	Burden VA	Accuracy at 60 Hz
B*-500	50:5	±3%	0.5
B*-750	75:5	±1%	0.5
B*-101	100:5	±1%	1.0
B*-151	150:5	±1%	2.5
B*-201	200:5	±1%	4.0
B*-251	250:5	±1%	6.0
B*-301	300:5	±1%	7.5
B*-401	400:5	±1%	10.0
B*-501	500:5	±1%	12.5
B*-601	600:5	±1%	15.0
B*-751	750:5	±1%	7.0
B*-801	800:5	±1%	8.0
B*-102	1000:5	±1%	10.0
B*-122	1200:5	±1%	12.5

\*Note Specify "F" for fast-ons or "T" for terminals or "L" for leads.



## Model A, B



### Model A B

Model AL	Model BL	Model BT
A: 2.74	A: 3.74	A: 3.88
B: 2.47 DIA.	B: 3.43 DIA.	B: 3.43 DIA.
C: 1.05 DIA.	C: 2.06 DIA.	C: 2.06 DIA.
D: 1.05	D: 1.10	D: 1.10

Grid-AIS-L4-ITL\_Model\_A\_B-1565-2017\_06-EN. © Copyright 2017. General Electric Company and Instrument Transformers LLC reserve the right to change specifications of described products at any time without notice and without obligation to notify any person of such changes.

